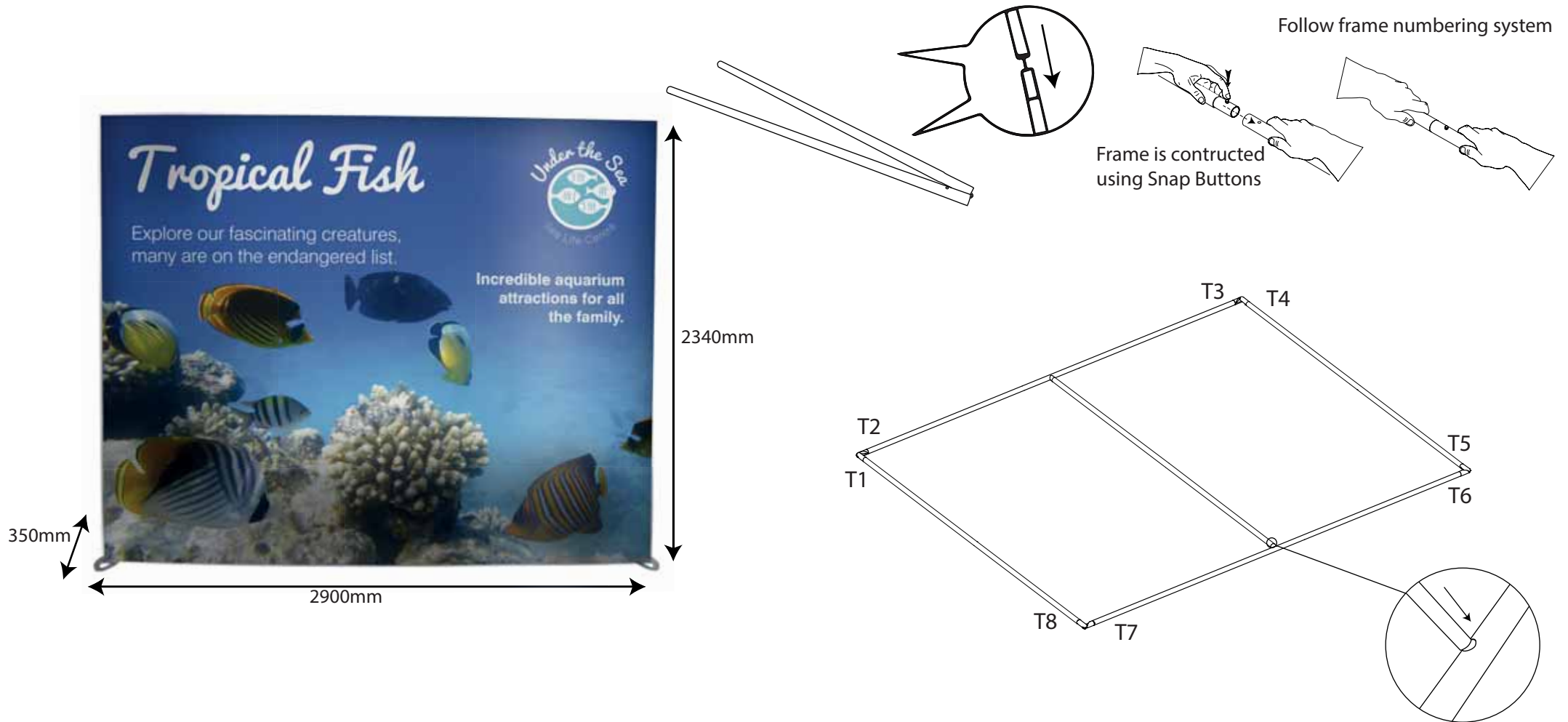


Formulate Straight

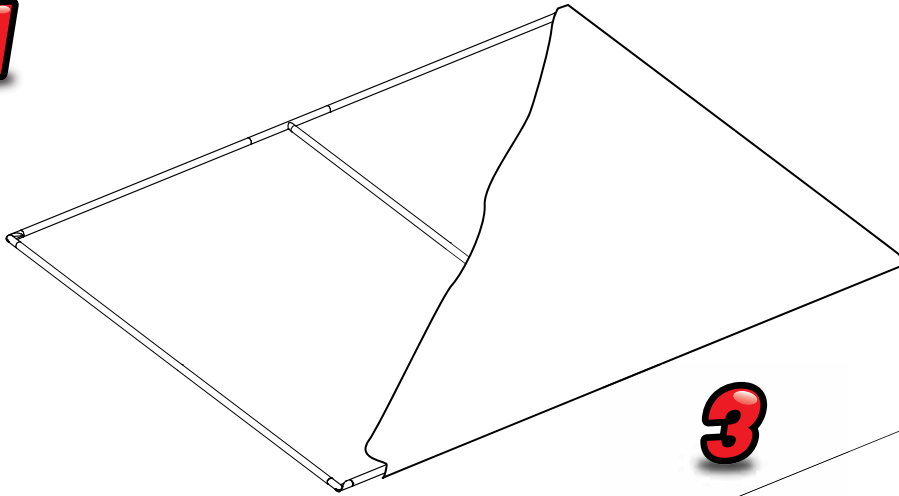


kg
8.48

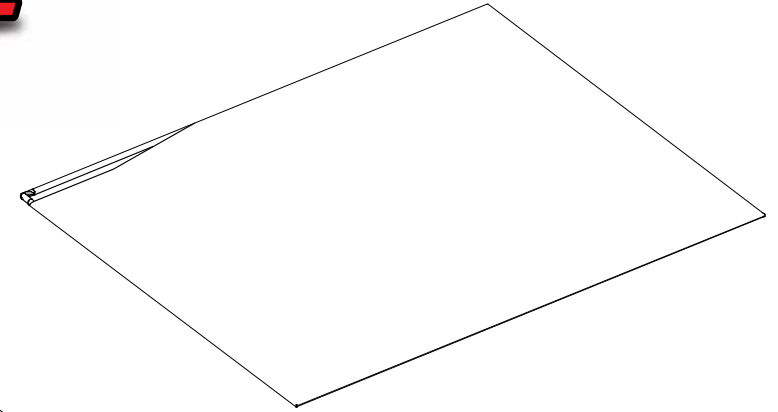
Formulate Straight

Attaching Graphic

1



2



3

